

CRL Door Pressure Gauge



- Easy to Use, Pocket Sized Tool Helps to Determine if Amount of Force Required to Open Doors Meets A.D.A. Regulations



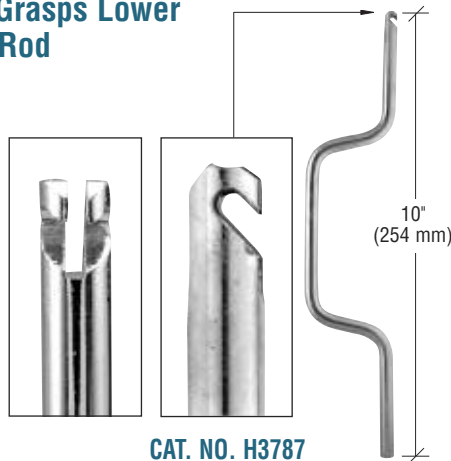
Our Door Pressure Gauge shows the amount of force (pounds or kilograms) required to open doors so you can determine if the door meets A.D.A. regulations. An absolutely vital tool if working on doors in facilities requiring full access to disabled persons. It can also be used to determine the amount of rolling force required to open or close patio doors. Range is from 0 to 35 pounds (0 to 15.9 kg). Minimum order is one each.

CAT. NO. HMC035

CRL Tilt Balance Tool

- Split Head End Grasps Lower Pin on Balance Rod

This plated steel Tensioning Tool is designed for tilt window Spiral Sash Balances. The Tool grasps the lower pin on the balance rod to give the necessary counter balance adjustment. Minimum order is one each.

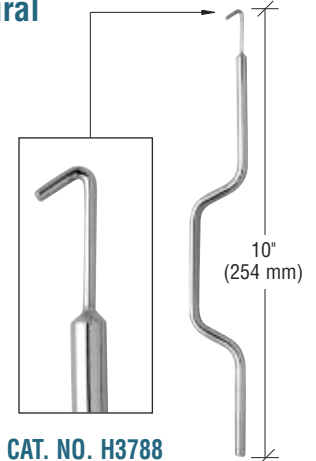


CAT. NO. H3787

CRL Non-Tilt Balance Tool

- Wire Hook End Grasps Spiral Sash Balances

This plated steel Tensioning Tool is designed for non-tilt window Spiral Sash Balances. The Tool has a wire hook to grasp the balance rod to easily wind or unwind the rod to give the necessary counter balance adjustments. Minimum order is one each.



CAT. NO. H3788

CRL Storm Sash Spreader Tool

- Used For Removal of Old Swivel or Corner Keys in Storm Sash



This CRL Storm Sash Spreader Tool quickly spreads the corners of frames for removal of old swivel or corner keys. Just insert the pointed jaws along side the old corner key and squeeze the handles. Minimum order is one each.

CAT. NO. 2114525

CRL Crimping Tool for 1795 Zinc Corners

- For Installing 1795 Zinc Corners Into Miter Cut CRL-Sash



Zinc Corners Sold Separately

The projecting pins located in the jaws of the CRL Crimping Tool are designed to crimp the miter cut ends of Universal CRL-Sash into the dimples of Cat. No. 1795 Zinc Corners, securing both legs to the corner. Minimum order is one each.

CAT. NO. S1936